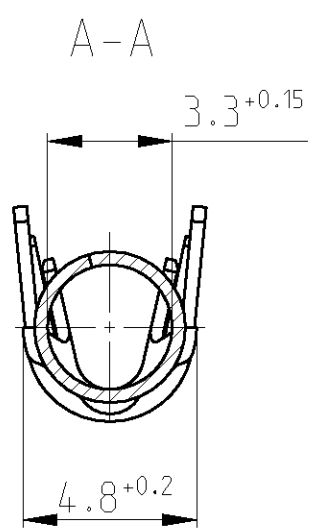
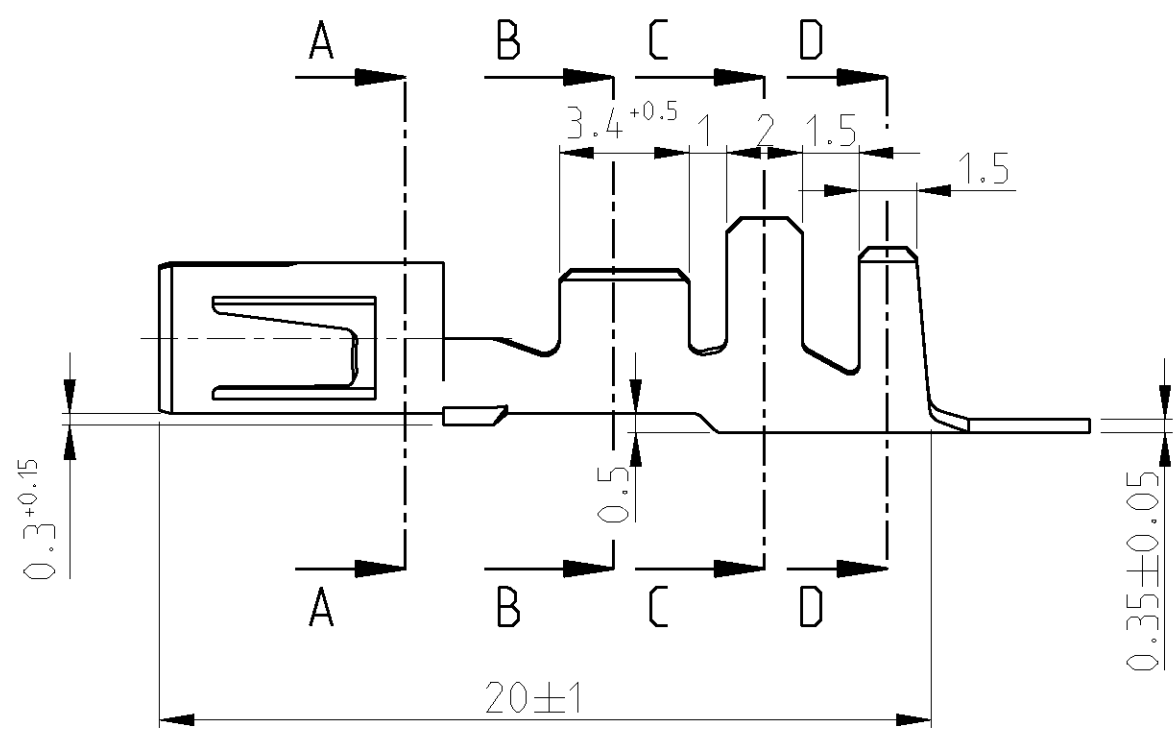
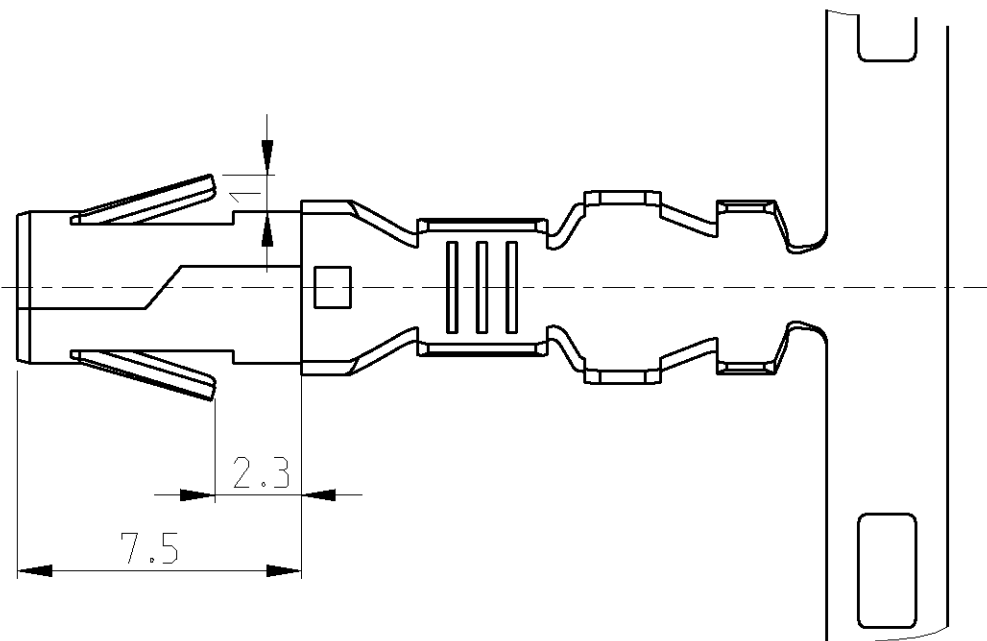
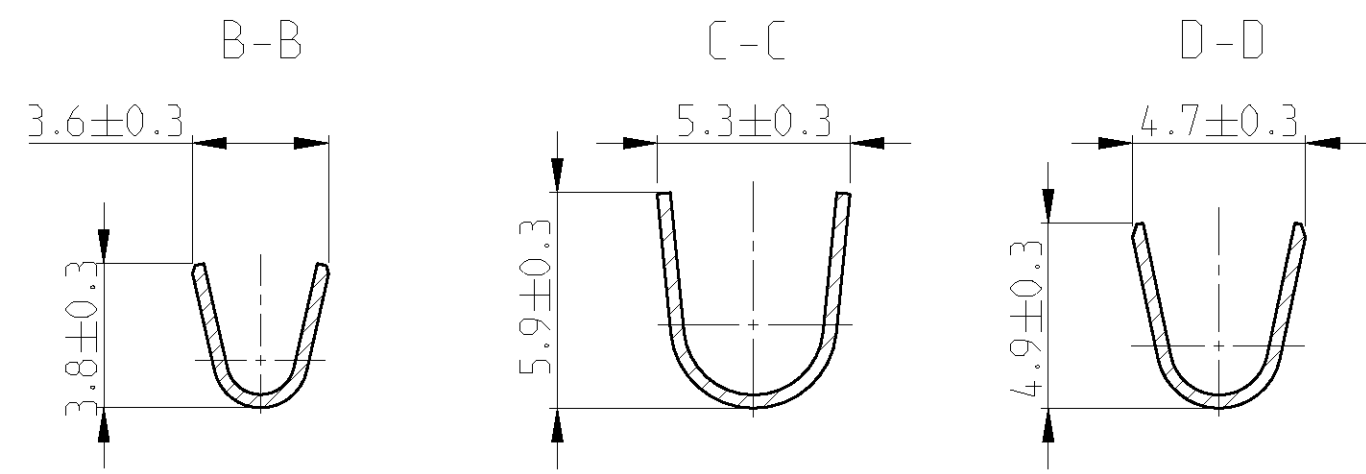


THIS DRAWING IS UNPUBLISHED. RELEASED FOR PUBLICATION 2003
 © COPYRIGHT - BY TYCO ELECTRONICS CORPORATION. ALL RIGHTS RESERVED.

LOC	DIST	REVISIONS			
P	LTR	DESCRIPTION	DATE	DWN	APVD
GT	-				
	C	SEE ECN EVA0-0023-05	04MAY2005	RVL	MBL
	C1	REVISED PER ECO-09-026495	02FEB10	KK	HMR
	C2	ECR-10-026307	12FEB11	KK	HMR



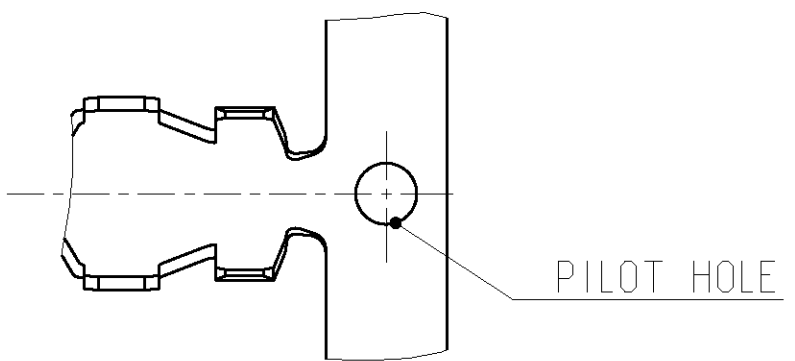
⚠ OBSOLETE PARTS: OBSOLETE CIS STREAMLINING PER D.RENAUD/D.SINISI



0- -1,2,3,4 AS SHOWN wie gezeichnet

OBSOLETE	FINISH	MATERIAL	PART NUMBER
4-927861-2	PRE TIN	CuSn4	⚠ 4-927860-2
0-927861-4	SILVERPLATED	CuSn4	0-927860-4
0-927861-3	PLAIN	CuSn4	0-927860-3
0-927861-2	PRE TIN	CuSn4	0-927860-2
0-927861-1	PRE TIN	CuZn30	0-927860-1

⚠ 1- -2 AS SHOWN wie gezeichnet



THIS DRAWING IS A CONTROLLED DOCUMENT FOR TYCO ELECTRONICS CORPORATION. IT IS SUBJECT TO CHANGE AND THE CONTROLLING ENGINEERING ORGANIZATION SHOULD BE CONTACTED FOR THE LATEST REVISION.

DIMENSIONS: mm	TOLERANCES UNLESS OTHERWISE SPECIFIED:	DWN J.SKODA 02MAR2005	
		CHK R.VLCEK 02MAR2005	
		APVD M.BEIFICHER 02MAR2005	
		PRODUCT SPEC 108-1032	
		APPLICATION SPEC 114-1007	NAME .140 DIA SOCKET .140 Dia Buchse
MATERIAL -	FINISH -	WEIGHT -	SIZE A3 CAGE CODE 00779 DRAWING NO C-927860 RESTRICTED TO -
CUSTOMER DRAWING			SCALE 5:1 SHEET 1 OF 1 REV C2